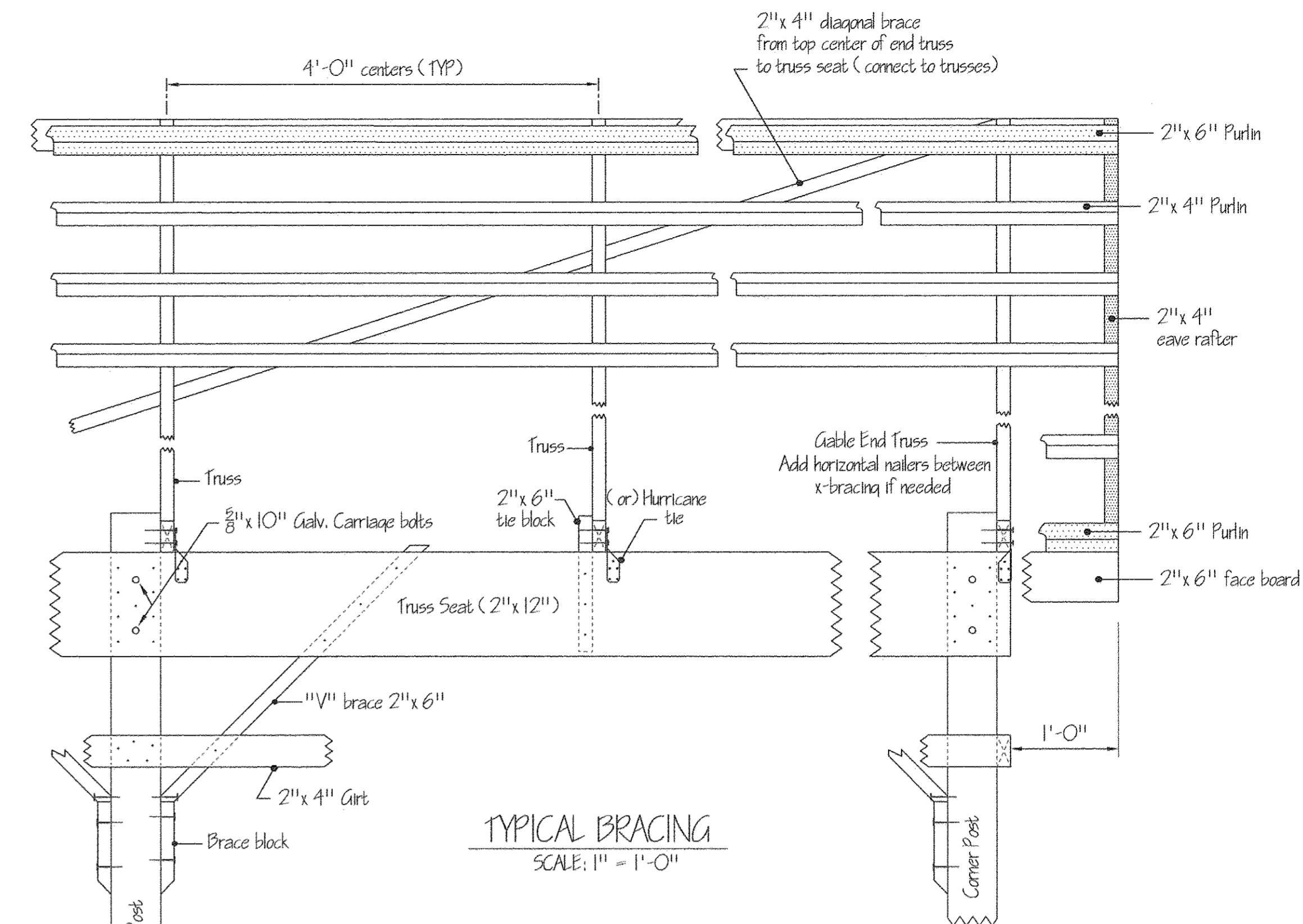
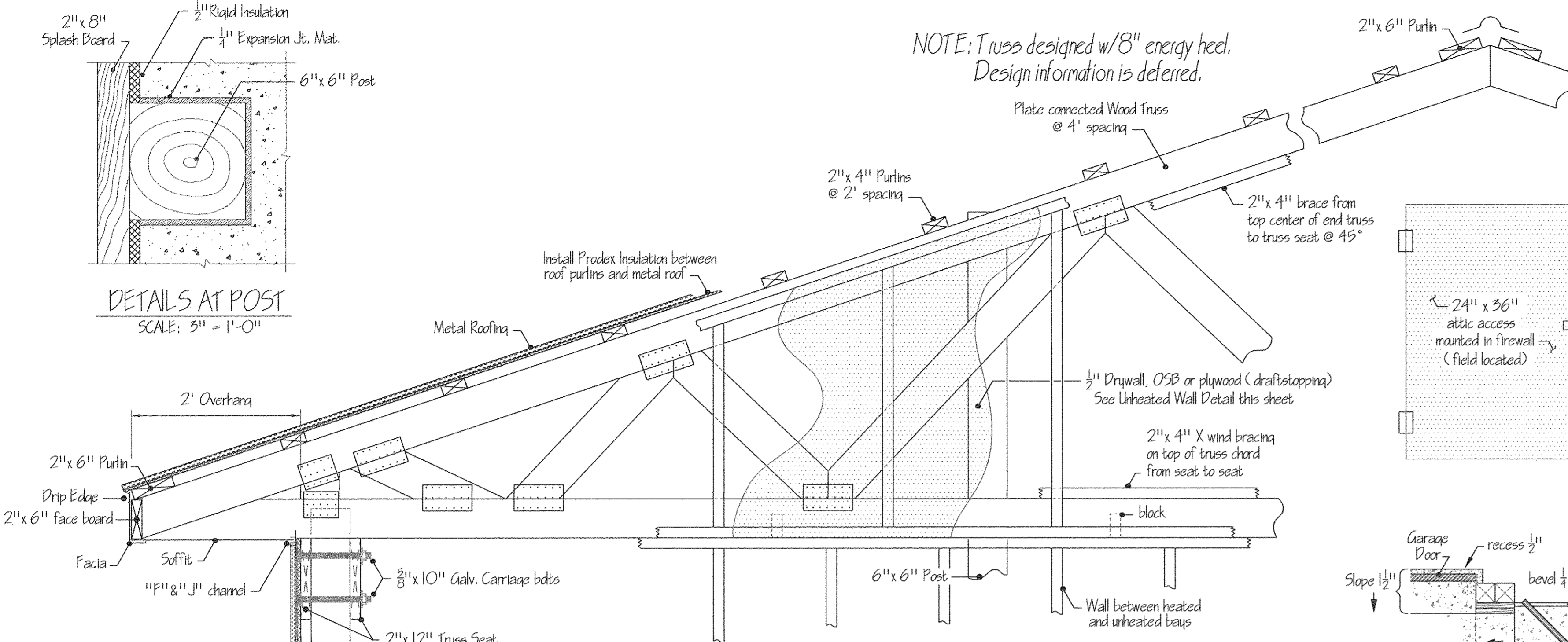
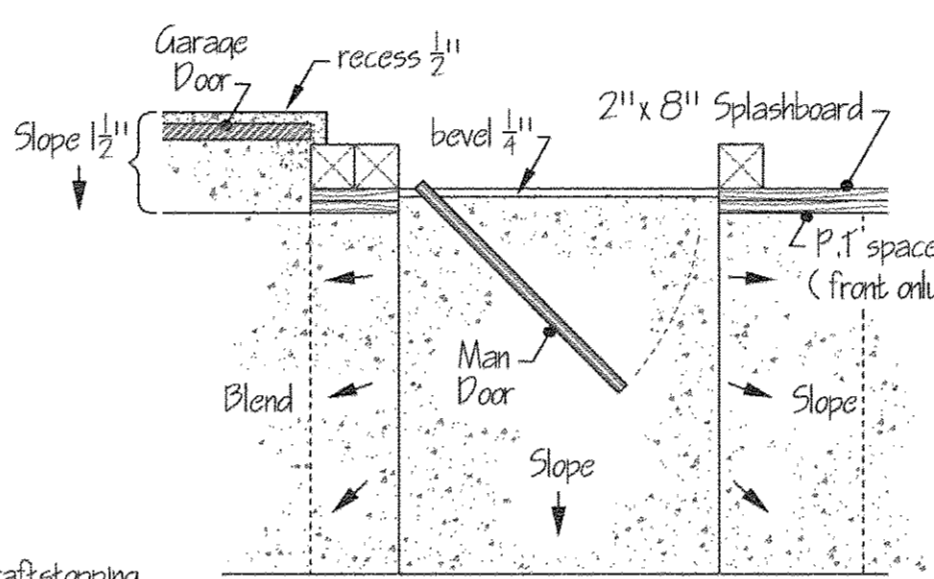


DETAILS AT POST
SCALE: 3/4" = 1'-0"

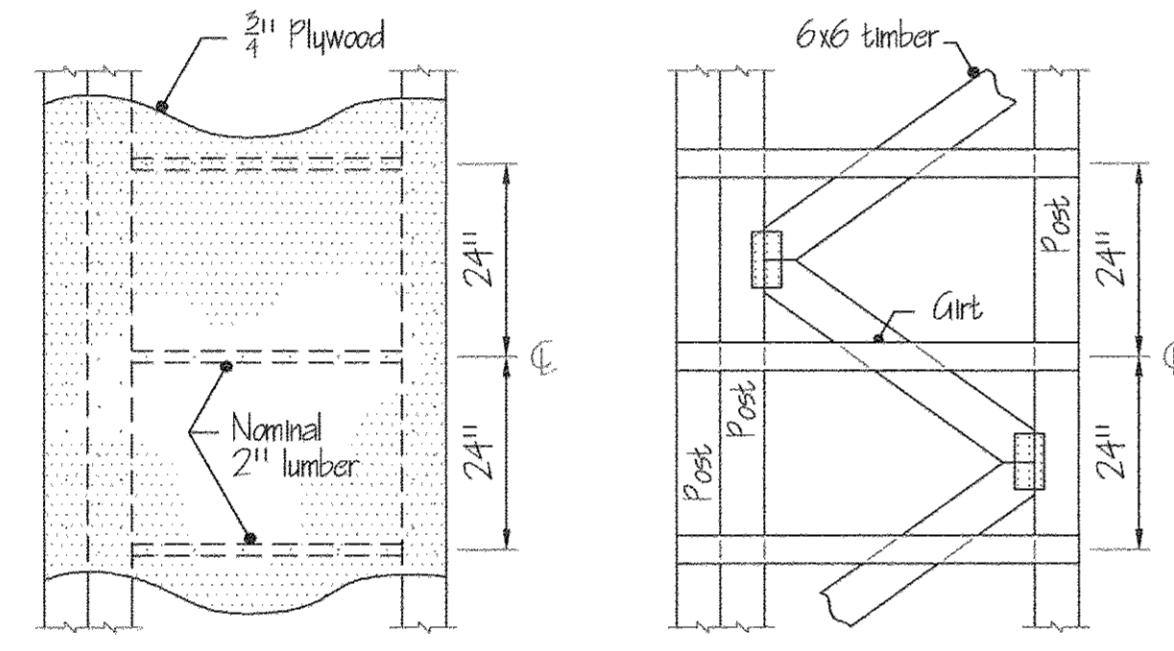
NOTE: Truss designed w/8" energy heel.
Design information is deferred.



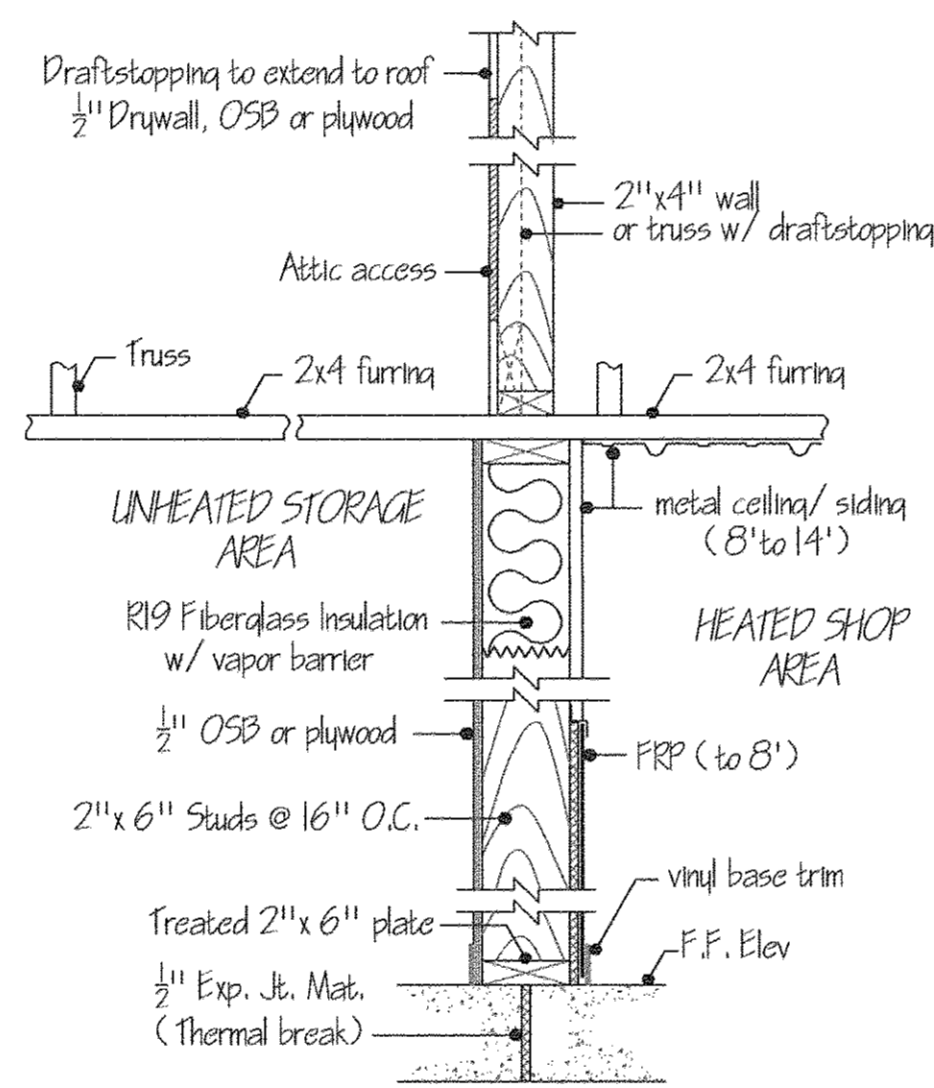
TYPICAL BRACING
SCALE: 1" = 1'-0"



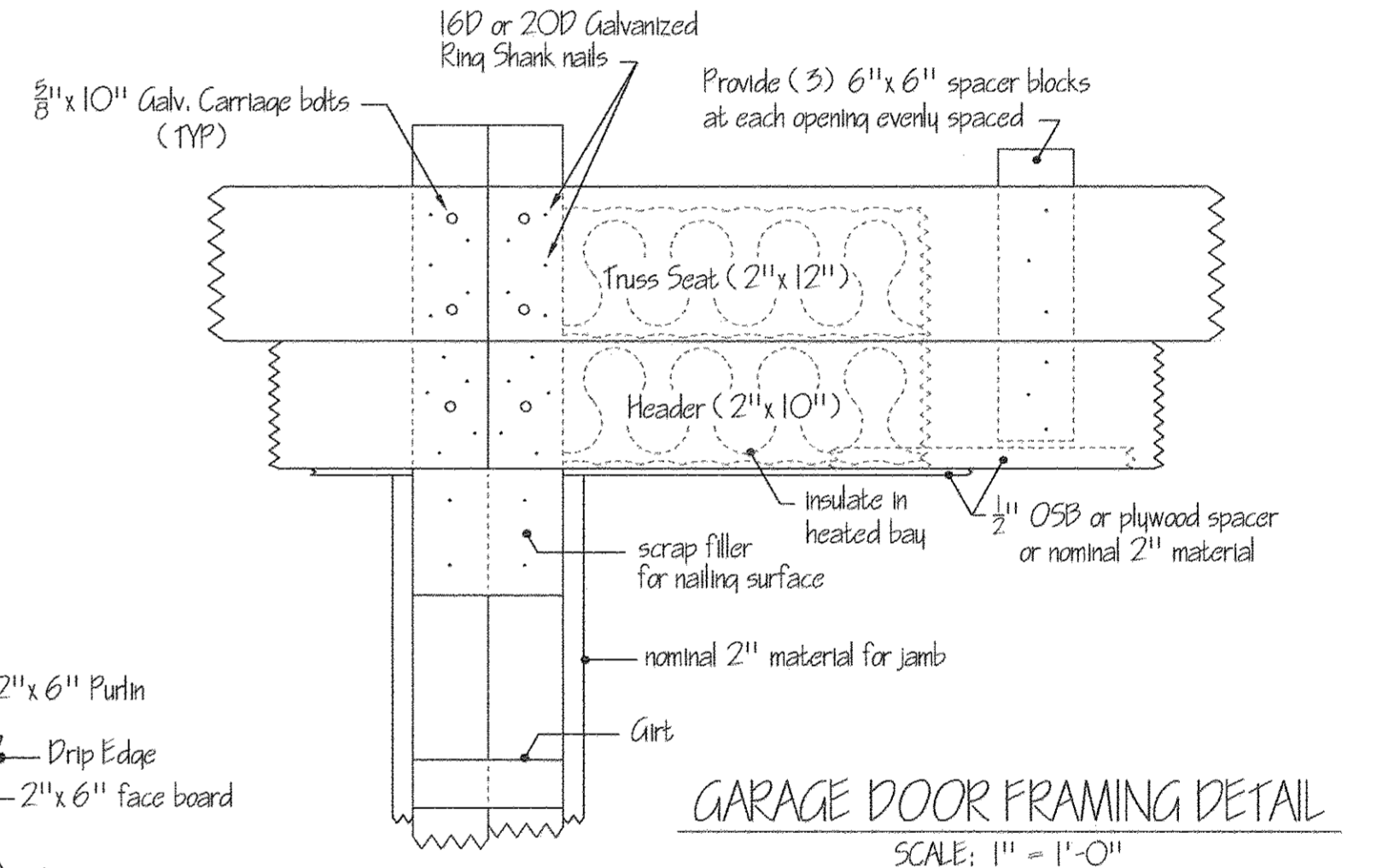
CONCRETE DETAIL @ DOOR
SCALE: 1/2" = 1'-0"



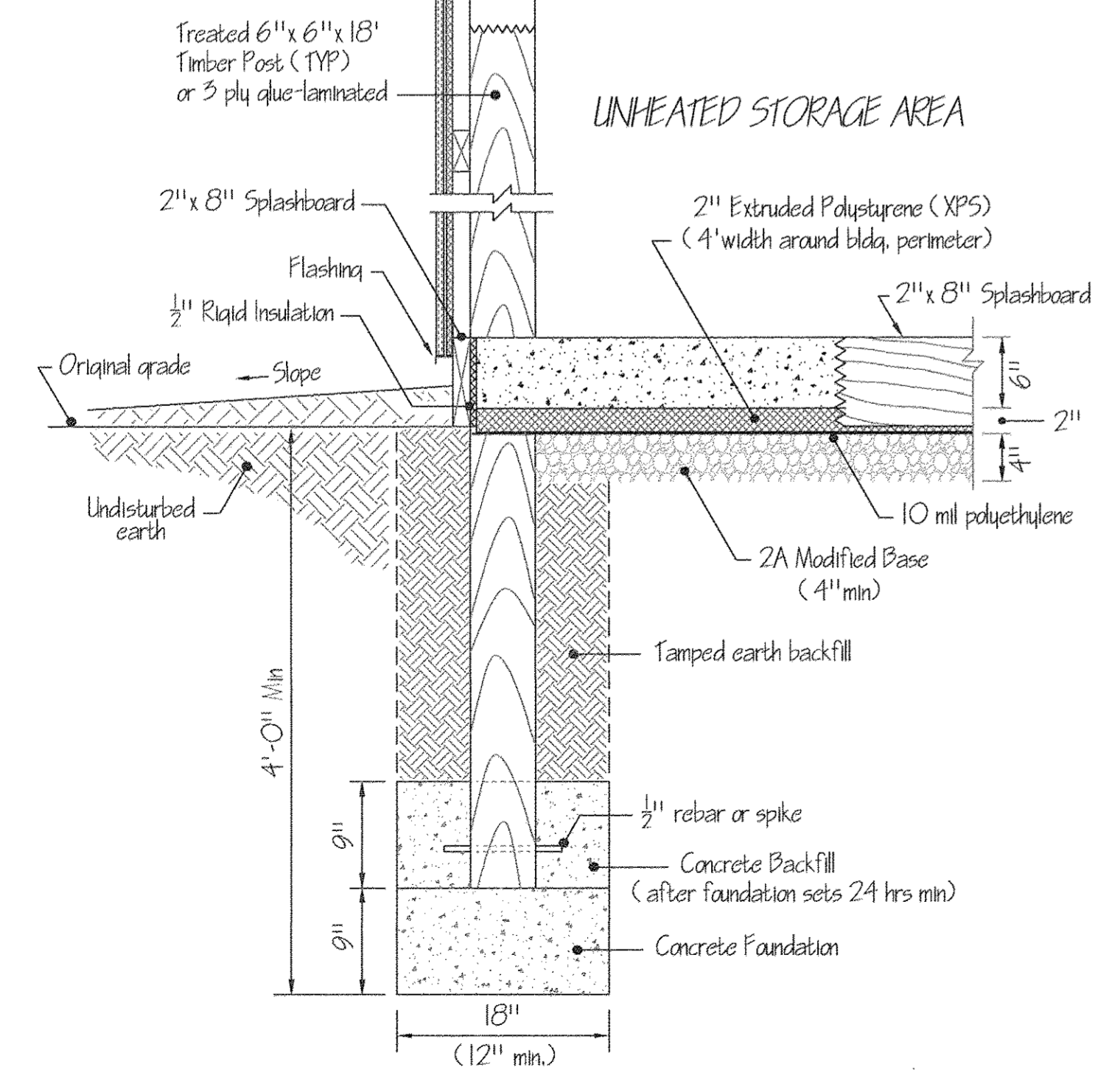
PLYWOOD BRACING OR 6" x 6" BRACING
SCALE: 1" = 2'-0" (FRONT CORNERS ONLY)



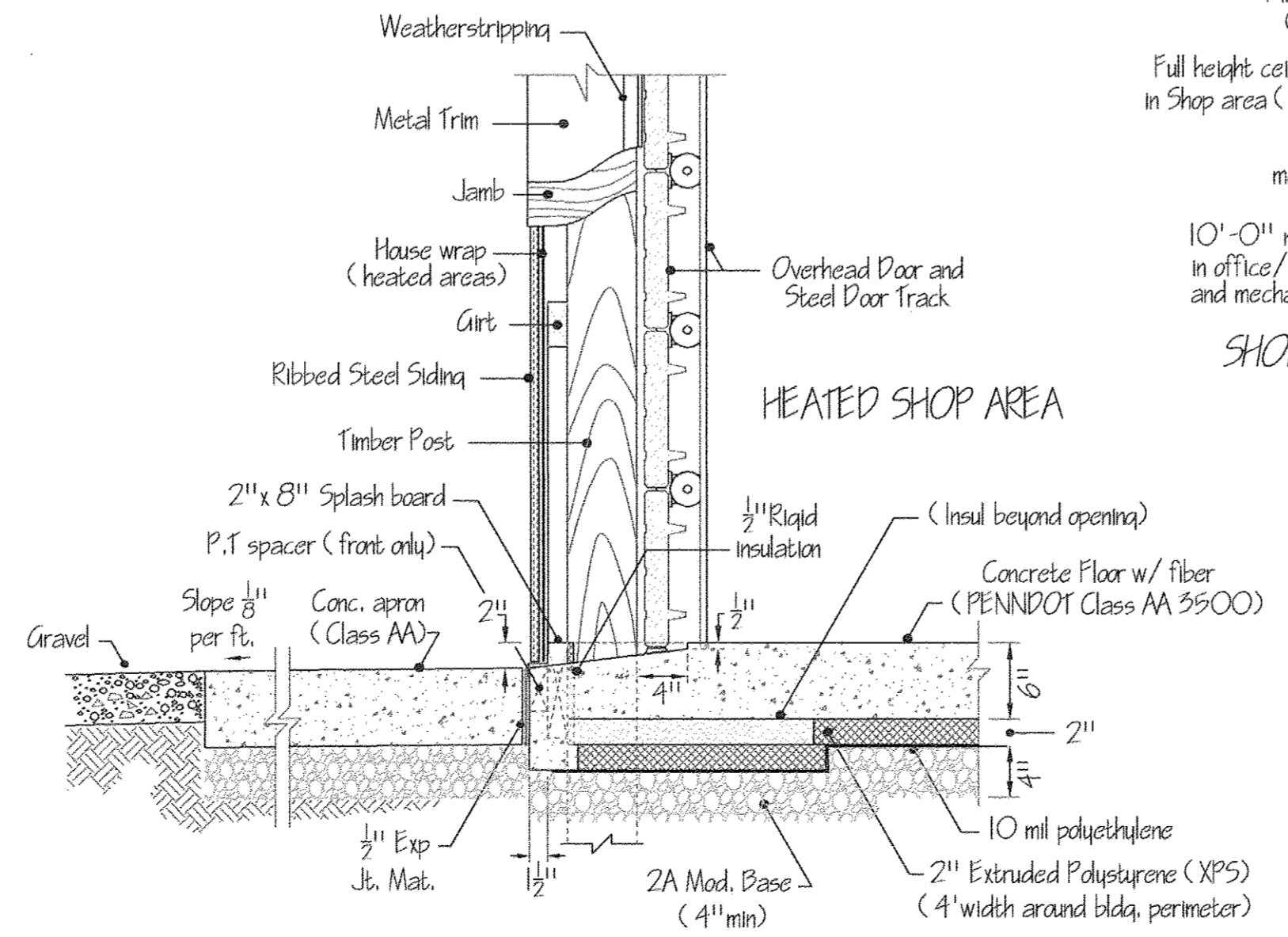
HEATED / UNHEATED WALL DETAIL
SCALE: 1" = 1'-0"



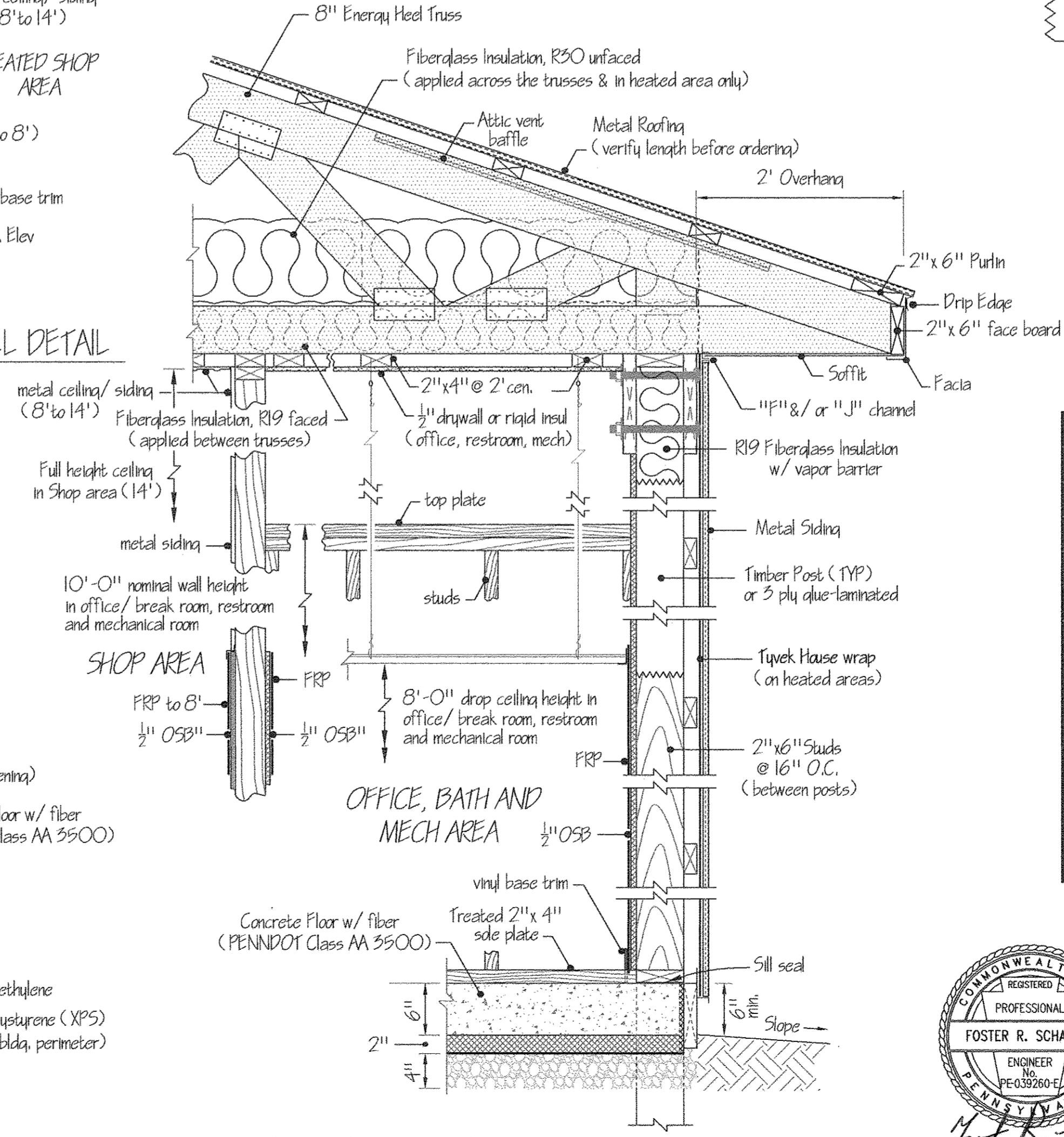
GARAGE DOOR FRAMING DETAIL
SCALE: 1" = 1'-0"



CROSS SECTION DETAIL
SCALE: 1" = 1'-0"

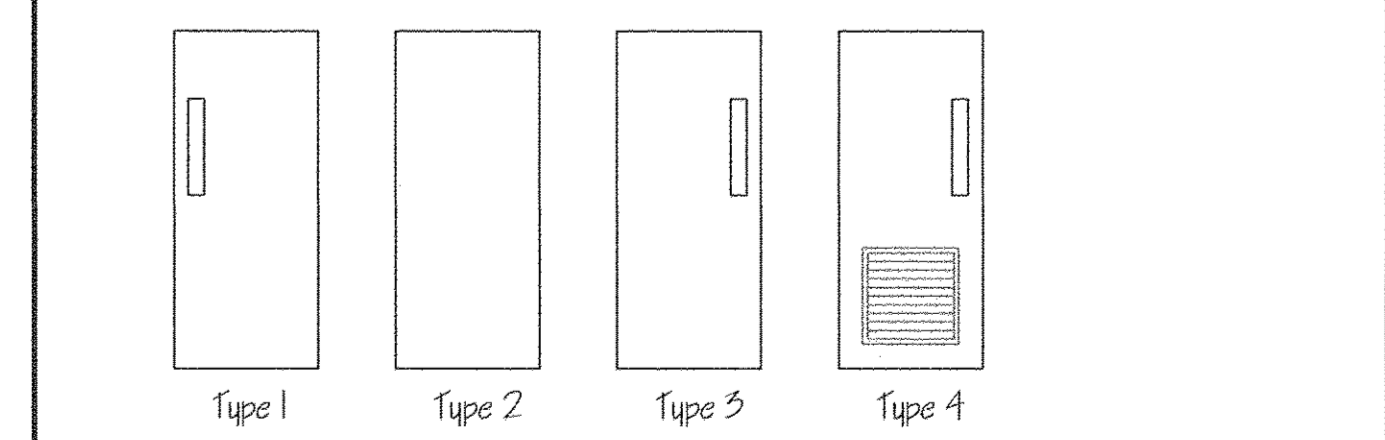


O.H. DOOR SILL AND JAMB DETAIL
SCALE: 1" = 1'-0"

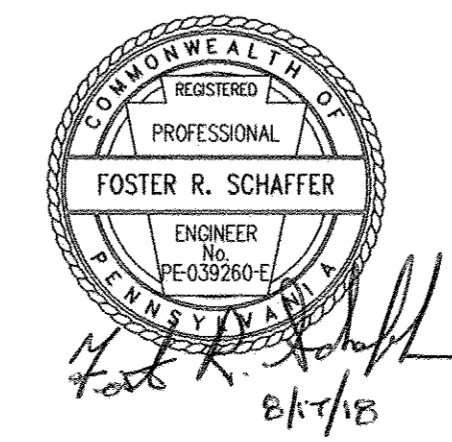


CROSS SECTION DETAIL
SCALE: 1" = 1'-0"

Mark	Type	W	H	T	Hand	Qty	Remarks
A	3	5'-0"	7'-0"	1-3/4"	LHR	5	Insulated Core w/ glass, Panic Bolt, Closure
B	1	5'-0"	7'-0"	1-3/4"	RH	1	Non-Insulated w/ glass & passage set
B	1	5'-0"	7'-0"	1-3/4"	RHR	1	Non-Insulated w/ glass & passage set
B	4	5'-0"	7'-0"	1-3/4"	LHR	1	Non-Insulated w/ glass & passage set
C	2	5'-0"	7'-0"	1-3/4"	RH	1	Non-Insulated Core w/ lockset



DOOR SCHEDULE



PENNSYLVANIA GAME COMMISSION

STATE GAME LANDS #245 EAST FINLEY TWP. WASHINGTON CO.

FRAMING DETAILS

REVISIONS		PROJECT NO.	PGC-245-18-2
Δ		DRAWING NO.	245-DETAILS-1
Δ		DRAWN BY:	JBM
Δ		DATE:	03-17-18
Δ		SHEET NO.	2 OF 5